

SDN

610 W
615 W
620 W
625 W
630 W

SunDay S 10+

N-Type TOPCon

BIFACIAL N-TYPE HALF-CELL
DOUBLE-GLASS MODULE

Sdm610-THBB-D1

Sdm615-THBB-D1

Sdm620-THBB-D1

Sdm625-THBB-D1

Sdm630-THBB-D1



OPTIMAL CUSTOMER VALUE

22.5% (630 W)

- Up to 22.5% module efficiency
- Provides optimal LCOE



HIGH EFFICIENCY CHARACTERISTICS

- High Bifacial power generation coefficient (80%)
- Low temperature coefficient (-0.29%/°C)
- High low-light power generation



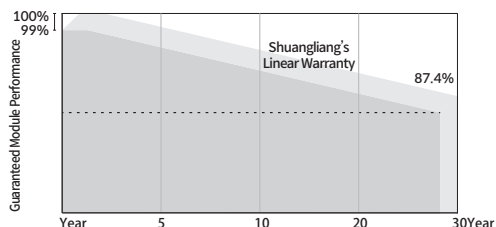
HIGH DURABILITY

- Application of high-durability bonding materials
- Anti-PID technology
- Interannual degradation rate 0.4%/year or less

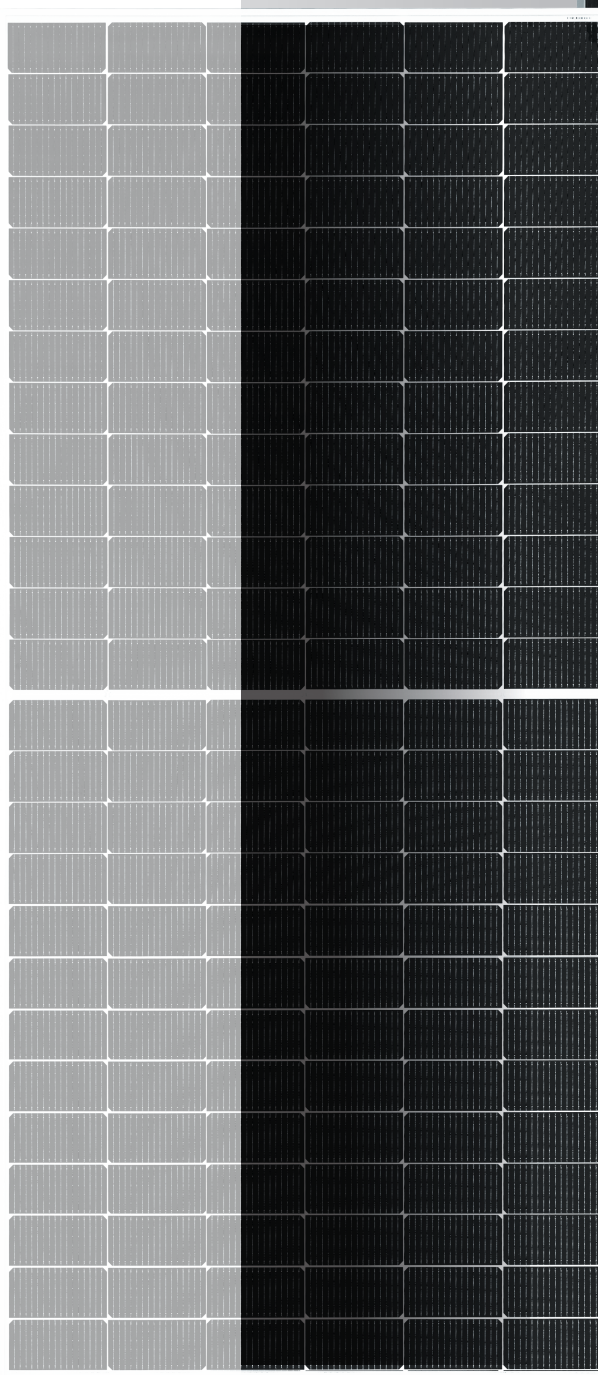


SUNDAYS 10+ SUPERIOR WARRANTY

· 12-year Product Warranty · 30-year Linear Power Warranty

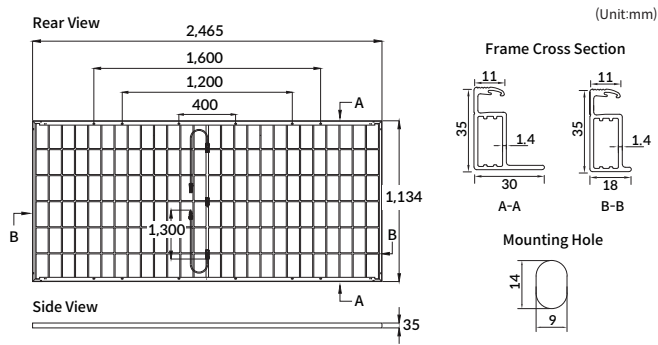


- 12-year Product Warranty
- 30-year Linear Power Warranty

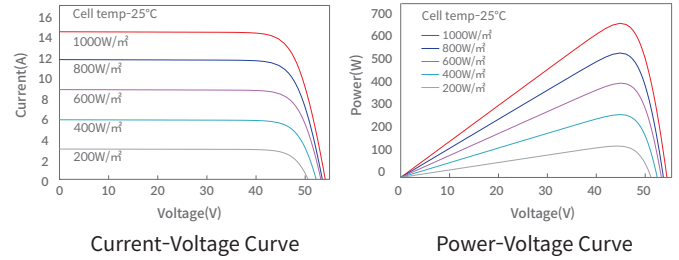


630W OUTPUT	22.5% EFFICIENCY	≤1% FIRST-YEAR DEGRADATION	≤0.4% ANNUAL DEGRADATION FROM YEAR 2-30
-----------------------	----------------------------	--------------------------------------	---

ENGINEERING DRAWINGS



IV CURVE BY ILLUMINANCE



MECHANICAL SPECIFICATIONS

Solar Cells	TopCon N-type / 182.2mm X182.2mm	Connector	MC4
Cell Orientation	156 (6 x 26)	Front Materials	2.0mm, AR Coated Heat Strengthened Glass
Dimensions	2,465mm x 1,134mm x 35mm	Back Materials	2.0mm, Heat Strengthened Glass, White Pattern
Weight	35.9kg	Encapsulant Material	EPE/EPE
Junction Box	IP68 with 3bypass diodes	Frame	Anodized Aluminum Alloy (Sliver Color)

ELECTRICAL CHARACTERISTICS

STC ¹						BSTC ²							
Maximum Power	[W]	610	615	620	625	630	Maximum Power	[W]	671	677	682	688	693
Output Tolerance	[W]	0 ~ +5					Open-Circuit Voltage	[V]	55.30	55.43	55.57	55.71	55.85
Module Efficiency	[%]	21.82	22.00	22.18	22.36	22.54	Short-Circuit Current	[A]	15.44	15.53	15.62	15.71	15.80
Open-Circuit Voltage	[V]	55.30	55.43	55.57	55.71	55.82	Max. Power Voltage	[V]	45.59	45.75	45.92	46.09	46.26
Short-Circuit Current	[A]	14.04	14.12	14.20	14.28	14.36	Max. Power Current	[A]	14.73	14.80	14.86	14.93	14.99
Max. Power Voltage	[V]	45.59	45.75	45.92	46.09	46.24	<small> * STC¹: The intensity of radiation = 1000 W/m², Module temperature = 25 °C, AM = 1.5 * BSTC²: The intensity of radiation = 1000 + φ x135 W/m², Module temperature = 25 °C, AM = 1.5 </small>						
Max. Power Current	[A]	13.39	13.45	13.51	13.57	13.63							

SYSTEM PARAMETERS

Operational Temperature	-40 ~ +85 °C
Max. System Voltage	DC 1500V
Max. Series Fuse Rating	30 A

MECHANICAL LOADING

Front-Side Maximum Static Loading	5400 Pa
Rear Side Maximum Static Loading	2400 Pa

TEMPERATURE RATINGS

Temperature Coefficient of Pmax	- 0.290%/°C
Temperature Coefficient of Voc	- 0.250%/°C
Temperature Coefficient of Isc	+ 0.045%/°C
NOCT (Nominal Operating Cell Temp.)	45±2°C

WARRANTY

12-Year Product Warranty		
Power Warranty	1-Year	99.0%
	10-Year	95.4%
	30-Year	87.4%

*Specifications included in this datasheet are subject to change without notice.

